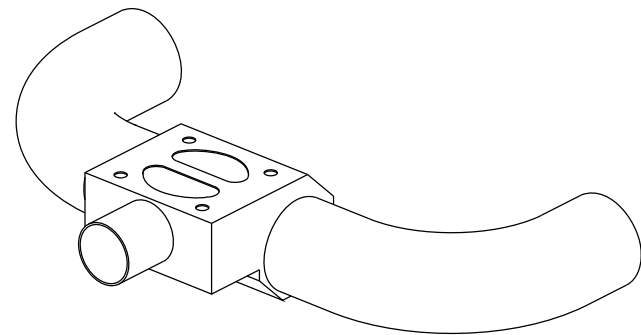
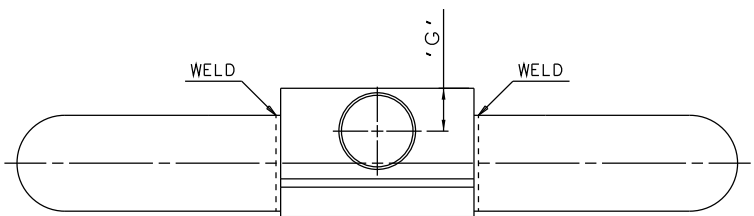
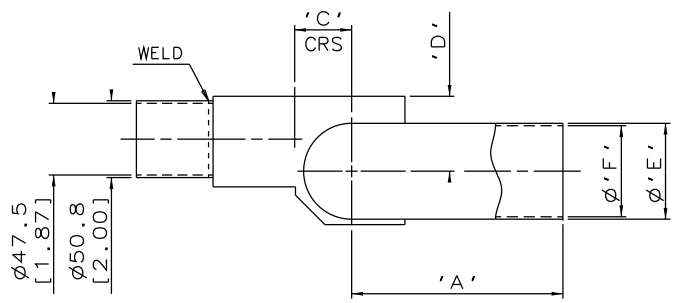
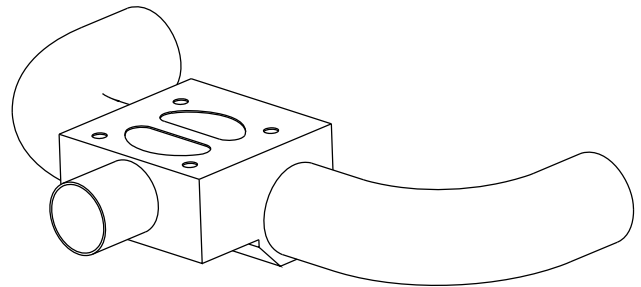
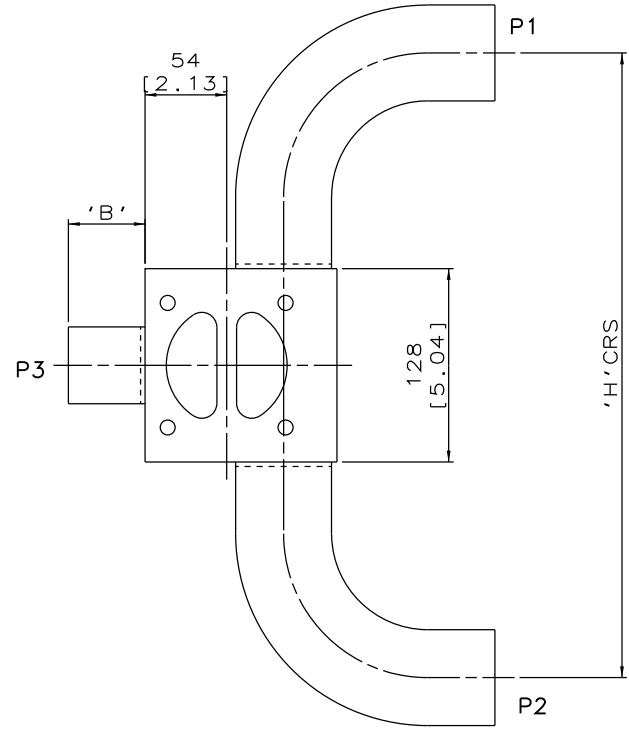


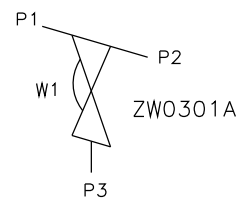
DN50/2.00  
MAINLINE ONLY



DN80/3.00 TO DN100/4.00  
MAINLINE ONLY



DN65/2.50  
MAINLINE ONLY



ORIENTATION AS  
PER P&ID DIAGRAM  
FOR OPTIMUM  
DRAINABILITY.

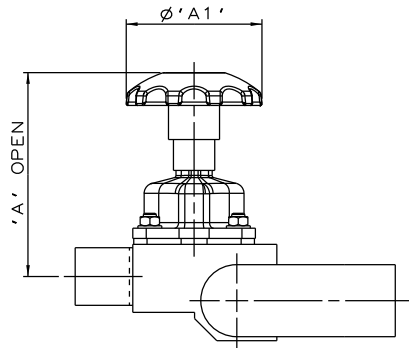
The information on this sheet is Private and Confidential and is the property of Crane Process Flow Technologies Limited and must not be published directly or indirectly in any manner whatsoever without the written permission of the Company and must not be used in any way detrimental to their interests.  
© Crane Process Flow Technologies

<b>CRANE</b>	Process Flow Technologies A Crane Co. Company	<b>Saunders</b> The Science Inside
--------------	--	---------------------------------------

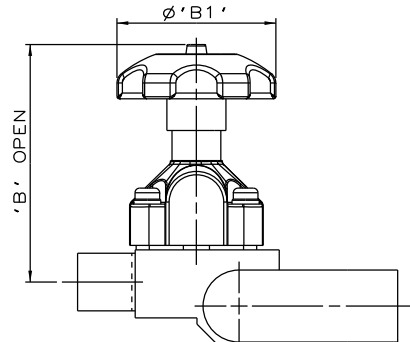
Title  
SCHEDULE OF LEADING DIMENSIONS FOR DN50/2.00 WEIR  
POINT OF USE 'T' BODY WITH BUTT WELD OD TUBE ENDS

MAINLINE SIZE		A		B		C		D		øE		øF		G		H		BODY WEIGHT
mm	inch	mm	inch	mm	inch	mm	inch	mm	inch	mm	inch	mm	inch	mm	inch	mm	inch	Kgs
DN50	2.00	120.7	4.75	50.8	2.00	30.3	1.19	41.5	1.63	50.8	2.00	47.5	1.87	28.4	1.12	375.4	14.78	5.0
DN65	2.50	139.8	5.50	50.8	2.00	37.7	1.48	49.6	1.95	63.5	2.50	60.2	2.37	28.4	1.12	413.6	16.28	6.4
DN80	3.00	158.8	6.25	50.8	2.00	43.9	1.73	54.9	2.16	76.2	3.00	72.9	2.87	28.4	1.12	465.6	18.33	6.6
DN100	4.00	203.2	8.00	50.8	2.00	54.9	2.16	66.3	2.61	101.6	4.00	97.38	3.83	28.4	1.12	554.4	21.83	9.7

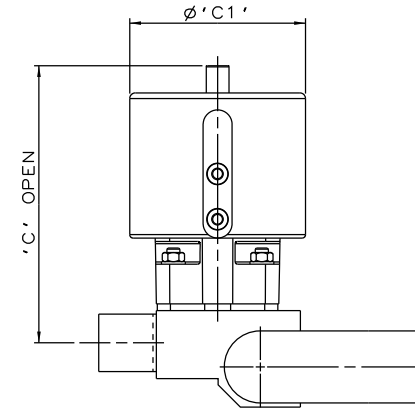
Drawn R1	Date 29.09.11	UNCONTROLLED IN HARD COPY FORMAT
Checked RND	Date 21.03.12	
First Angle Projection Method E	DO NOT SCALE	Drawing No. WEB-037
		Issue. 2



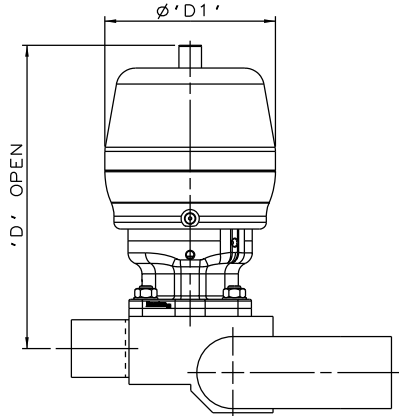
SS NON SEALED  
BONNET ASSEMBLY



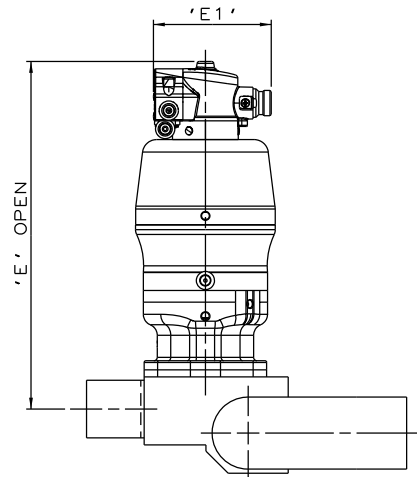
PES BONNET  
ASSEMBLY



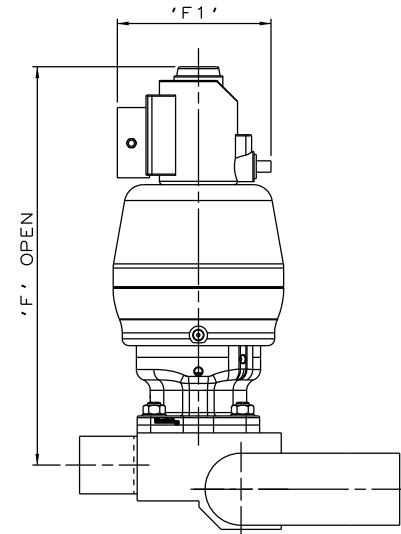
EC ACTUATOR  
(ALL MODES)



\*S360 ACTUATOR



\*S360 ACTUATOR  
WITH M-VUE SENSOR



\*S360 ACTUATOR  
WITH I-VUE SENSOR

The information on this sheet is Private and Confidential and is the property of Crane Process Flow Technologies Limited and must not be published directly or indirectly in any manner whatsoever without the written permission of the Company and must not be used in any way detrimental to their interests.  
© Crane Process Flow Technologies

**CRANE** Process Flow Technologies  
A Crane Co. Company

**Saunders**  
The Science Inside

Title  
SCHEDULE OF LEADING DIMENSIONS FOR DN50/2.00 WEIR  
POINT OF USE 'T' BODY WITH BUTT WELD OD TUBE ENDS  
FITTED WITH TOPWORKS OPTIONS

Drawn JRD Date 15.09.16

UNCONTROLLED IN

Checked RND Date 15.09.16

HARD COPY FORMAT

First Angle Projection Method E

DO NOT SCALE

Drawing No. WEB-037-ASSY Issue. 1

\*DIMENSIONS SHOW MAXIMUM ENVELOPE FOR ALL MODES

MAINLINE SIZE		A		A1		B		B1		C		C1		D		D1		E		E1		F		F1	
mm	inch	mm	inch	mm	inch	mm	inch	mm	inch	mm	inch	mm	inch	mm	inch	mm	inch	mm	inch	mm	inch	mm	inch	mm	inch
DN50	2.00	180	7.09	120	4.72	209	8.23	140	5.51	244	9.60	155	6.10	267	10.51	150	5.90	315.4	12.42	103.8	4.09	351	13.82	135.5	5.33